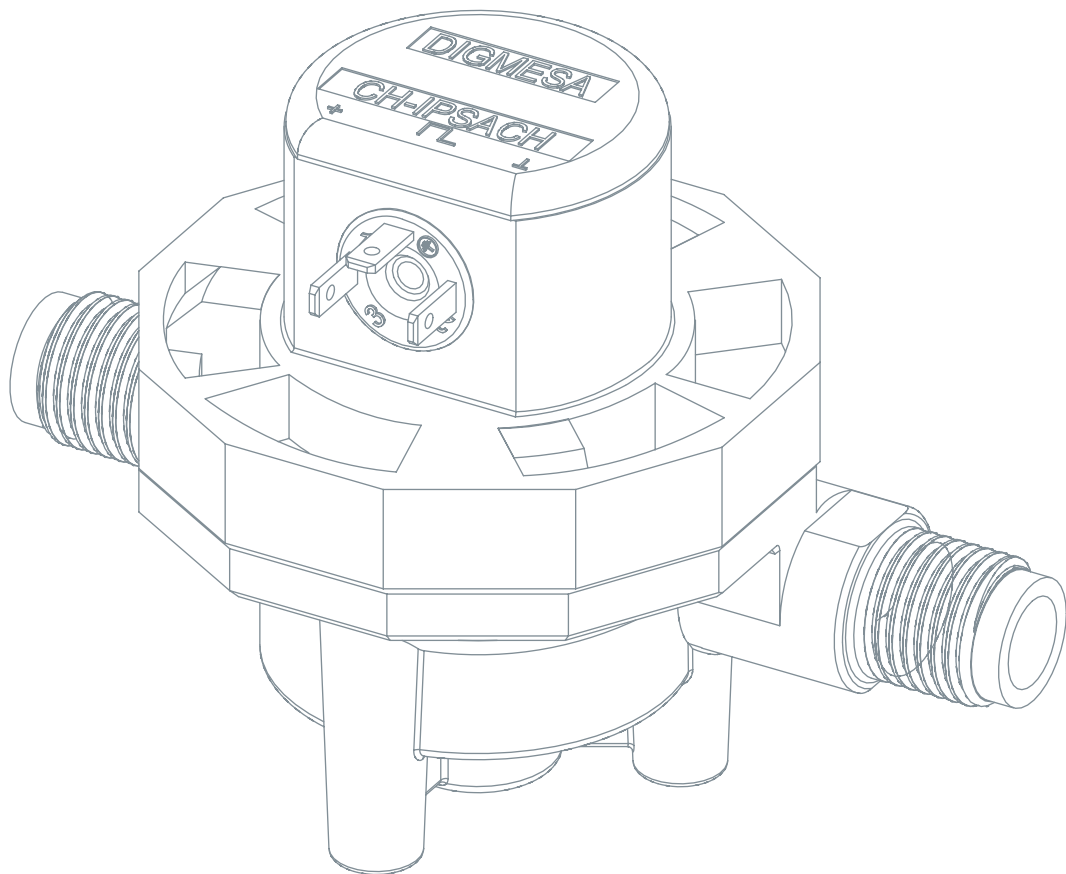


FLOW SENSOR FF  
THE FOOD-FLOW SENSOR  
MADE BY DIGMESA



## FLOW SENSOR FF

### TECHNICAL INFORMATION

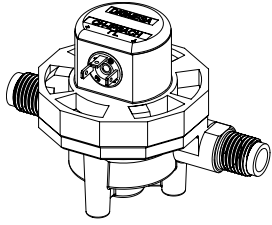
Flow Rate l/min		
Nozzle	Min	Max
4.0 mm	0.22	7.75
5.0 mm	0.35	11.50
6.0 mm	1.50	16.20

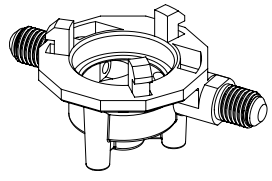
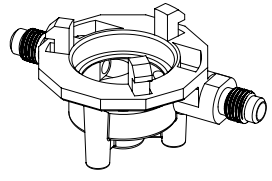
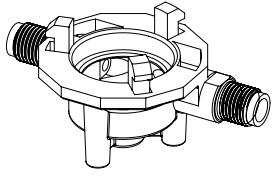
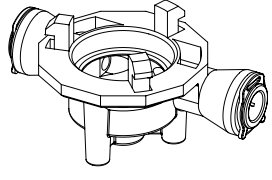
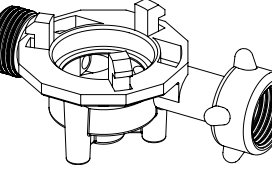
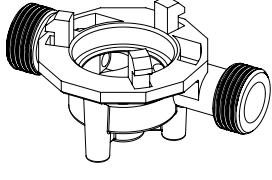
Output Signal
Pulse

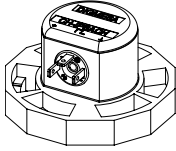
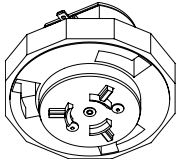
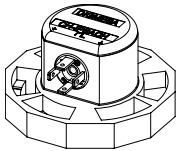
Material
PBT (Arnite), PVDF


Application examples
Beverages, sparkling fermented beverages (foam detection)

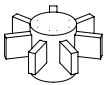
Imagine it's match break. The order arrives: 50,000 beers, please! Here, when connected in series for simultaneous beer dispensing, the Classicline FF provides an outstanding solution. It was the first flow sensor in Germany to obtain SK certification for beer, and is now a top seller. It can be opened without any tools for easy cleaning. The version with a jewel bearing allows the mounting position to be chosen freely. Moreover, with the optional integrated foam probe, it measures only the actual amount of liquid that has been transferred. This prevents errors caused by carbonated gas when the line is empty.

		FF STD	FF Premium	FF Chemistry
<b>Housing Material</b>				
PBT (Arnite)		STD	STD	-
PVDF		-	-	STD

<b>Process Connection</b>				
FFC 40 BSF 1/2" cola m/m		STD	STD	-
FFP 50 UNF 7/16" pepsi m/m		•	•	-
FFG 60 G 1/4" m/m		•	•	STD
FFJG 50 3/8" m/m		•	•	-
FFB 50 G5/8" m/f		-	•	-
FFB2 50 5/8" m/m		•	•	-

		FF STD	FF Premium	FF Chemistry
<b>EI. Connection</b>				
3 pin amp		STD	STD	STD
3 pin amp SM		•	•	-
4 pin amp SM		•	•	-

<b>O-Ring</b>				
Silicon		STD	STD	-
FPM		•	•	STD
EPDM		•	•	•

<b>Turbine</b>				
Low 2M		STD	-	-
Low 4M		•	-	-
Ruby 2M		-	STD	-
Chem. 4M		-	-	STD